

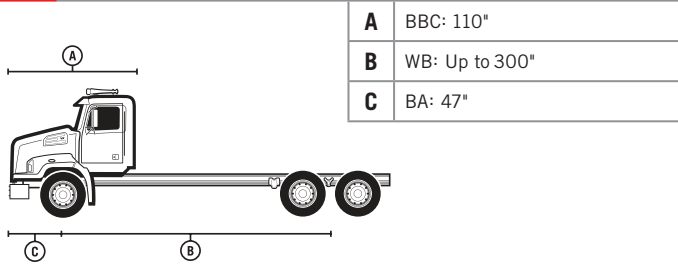
All-Wheel Drive



For the toughest terrains, nothing beats the all-wheel drive capability of Western Star. Best of all, you can get it in models ranging from tough to super-tough. Just take a look here and see the world beaters you can create.

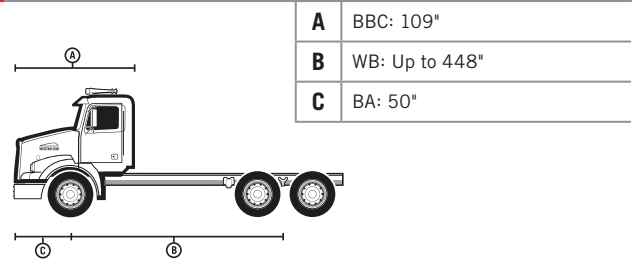
4700

SB SET BACK AXLE



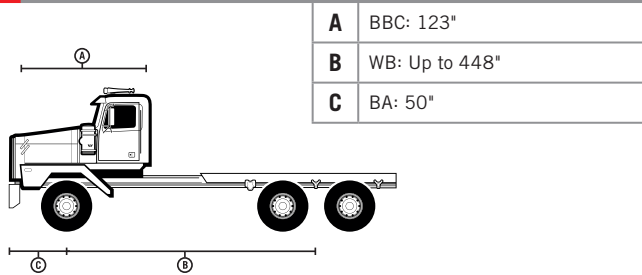
4800

SB SET BACK AXLE



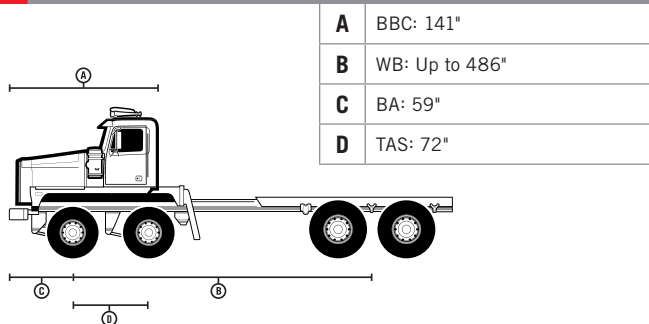
4900

XD EXTREME DUTY

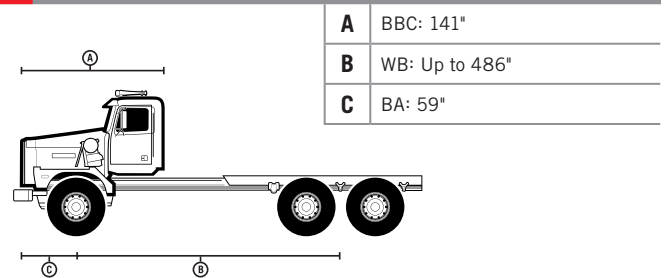


6900

TS TWIN STEER



XD EXTREME DUTY



CONFIGURATION

4700SB: 4x4, 6x6

4800SB: 4x4, 6x6

4900SB: 4x4, 6x6

4900XD: 4x4, 6x6

6900TS: 8x6, 8x8

6900XD: 6x6

CAB TYPE

Severe Duty galvanized steel with two-piece bonded windshield

HOOD TYPE

4700SB

Fiberglass hood with available access hatches

4800SB

Supervisibility fiberglass hood

4900XD

Fiberglass hood with LH and RH full-length butterfly openings

6900TS / 6900XD

Fiberglass hood with LH and RH full-length butterfly openings

ENGINE

4700SB

Cummins ISL, 8.9L, 260-370HP, 720-1250lb-ft.

4800SB

Detroit™ DD13® 12.8L, 350-505HP, 1250-1850lb-ft.*

4900XD

Detroit™ Series 60® Tier III, 14L, 425-500HP, 1475-1550lb-ft.**

6900TS / 6900XD

Detroit™ DD15® 14.8L, 455-505HP, 1550-1750lb-ft.

Detroit™ DD16® 15.6L, 500-600HP, 1850-2050lb-ft.

Detroit™ Series 60® Tier III, 14L, 425-500HP, 1475-1550lb-ft.**

EXHAUST

4700SB

RH outboard under-step with vertical or horizontal tailpipe

RH back of cab mounted

4800SB

RH outboard under-step-mounted horizontal

4900XD

Stationary cab-mounted

6900TS

RH outboard mid-chassis-mounted horizontal

6900XD

Stationary cab-mounted

RH outboard mid-chassis-mounted horizontal

TRANSMISSION

4700SB

Allison Automatic

4800SB

Eaton Fuller Manual
Allison Automatic

4900XD

Eaton Fuller Manual
Allison Automatic

6900TS / 6900XD

Eaton Fuller Manual
Allison Automatic

TRANSFER CASE

4700SB

Meritor MTC

4800SB

Fabco TC-170
Fabco TC-180
M-H MVG-1600

4900XD

Fabco TC-170
Fabco TC-180
M-H MVG-1600

6900TS / 6900XD

Fabco TC-142

FRONT AXLE

4700SB

Single 16,000 lbs

4800SB

Single 21,000-22,000 lbs

4900XD

Single 22,000 lbs

6900TS

Tandem 40,000 lbs

6900XD

Single 23,000-28,000 lbs

REAR AXLE

4700SB

Single 23,000-26,000 lbs
Tandem 40,000-46,000 lbs

4800SB

Single 23,000-30,000 lbs
Tandem 40,000-52,000 lbs

4900XD

Single 23,000-30,000 lbs
Tandem 46,000-58,000 lbs

6900TS / 6900XD

Tandem 70,000-110,000 lbs

FRONT SUSPENSION

4700SB

Flatleaf 16,000 lbs

4800SB

Flatleaf 17,500, 19,500 and 21,500 lbs

4900XD

Flatleaf 21,500 and 23,000 lbs

6900TS

Slipper 36,000 and 40,000 lbs

6900XD

Flatleaf 21,000-28,000 lbs
Slipper tandem 36,000 lbs

REAR SUSPENSION

4700SB

Single 23,000-26,000 lbs
Tandem 40,000-46,000 lbs

4800SB

Single 23,000-31,000 lbs
Tandem 40,000-52,000 lbs

4900XD

Single 23,000-30,000 lbs
Tandem 46,000-58,000 lbs

6900TS / 6900XD

Tandem 65,000-110,000 lbs

BRAKES

4700SB

WABCO 4S/4M and 6S/6M Anti-Lock Braking System (ABS) with and without traction enhancement

4800SB

WABCO 4S/4M and 6S/6M Anti-Lock Braking System (ABS) with and without traction enhancement

4900XD

WABCO 4S/4M and 6S/6M Anti-Lock Braking System (ABS) with and without traction enhancement

6900TS / 6900XD

WABCO Anti-lock Braking System (ABS) with or without traction enhancement

FRAME

4700SB

Single-channel @ 2.0MM RBM,
2.5MM RBM and 3.2MM RBM

Double-channel @ 3.2MM RBM,
3.7MM RBM and 4.4MM RBM

4800SB

Single-channel @ 2.5MM RBM

Double-channel @ 3.2MM RBM and
4.5MM RBM

4900XD

Double-channel @ 3.2MM RBM and
4.5MM RBM

6900TS / 6900XD

Double-channel @ 3.2MM RBM and
4.5MM RBM

Triple-channel @ 5.6MM RBM

FUEL TANK

4700SB

Aluminum 23" or 25" cylindrical
60-125 gallon (189-473) RH or LH

4800SB

Aluminum 25" cylindrical 60-150
gallon (189-567 liter) RH or LH

4900XD

Aluminum 25" cylindrical 60-150
gallon (189-567 liter) RH or LH

6900TS / 6900XD

100-150 gallon (378-567 liter)
aluminum – RH

100-150 gallon (378-567 liter)
aluminum – LH

90-120 gallon (340-453 liter)
steel – RH

90-120 gallon (340-453 liter)
steel – LH

DEF TANK

6, 13 and 23 gallon
(23, 49 and 87 liter)

*DD13® 505 /1850 only available for specific applications.
See your Western Star dealer for more details.

**For off-road use only.



WESTERN STAR®

For the Western Star dealer nearest you, call 1-866-850-STAR | **WESTERNSTAR.COM**



**HAND BUILT
IN THE USA**

Cleveland, NC
Portland, OR

WS/MC-DT-544. Specifications are subject to change without notice. Western Star Truck Sales, Inc. is registered to ISO 9001:2008 and ISO 14001:2004. Copyright © 2016 Daimler Trucks North America LLC. All rights reserved. Western Star Truck Sales, Inc. is a subsidiary of Daimler Trucks North America LLC, a Daimler company.

DAIMLER | Western Star - A Daimler Group Brand